

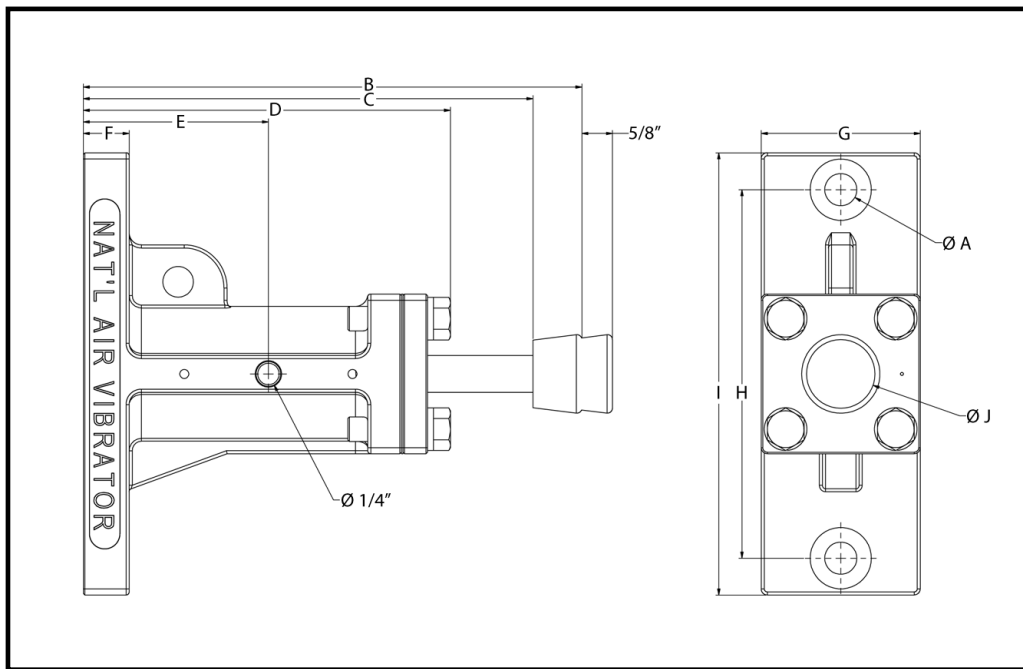
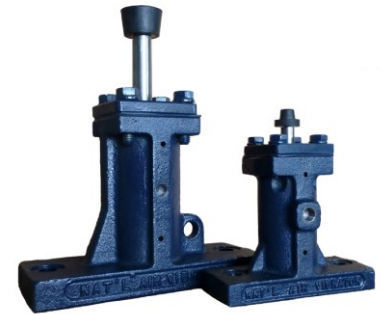
The NAVCO Extendovibe was designed as a vibratory solution for unique applications. This extended piston vibrator can be used as a flow solution when other vibrator types are not feasible due to a variety of factors. These include inadequate hopper wall thickness or inability to weld mounting accessories to the hopper wall.

The Extendovibe can be supported by a form of brace or bracket and is to be positioned so that the retracted rubber nob is ¼ to ½ inch from the surface to be impacted. It functions by rapidly tapping an interchangeable rubber knob to the surface in a precise, predetermined location. This effectively reduces the sliding friction and strength of the bulk material to allow for improved flow. Common applications for the Extendovibe include use on small hoppers and portable tote bins.

The Extendovibe's extended piston features a threaded end, which allows for a variety of shaft end configurations.

# Extendovibe

Vibratory solution for unique applications



Model	Weight (lbs)	A	B	C	D	E	F	G	H	I	J	Rod Thread Size*
1.25	8.8	1/2"	6 6/13"	6"	5 5/8"	3 3/4"	3/4"	2 1/2"	4 1/2"	6"	1/2"	1/4"-20
2.00	20	5/8"	10 3/16"	9 3/16"	7 1/4"	3 3/4"	1"	3 1/4"	7 1/2"	9"	1 1/2"	5/16"-18

\* Female Thread

NAVCO® ♦ 11929 Brittmoore Park Drive ♦ Houston, Texas 77041 ♦ 832-467-3636 ♦ Fax 832-467-3800  
 Toll Free 800-231-0164 ♦ www.navco.us

