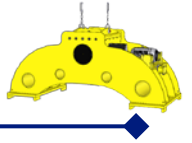


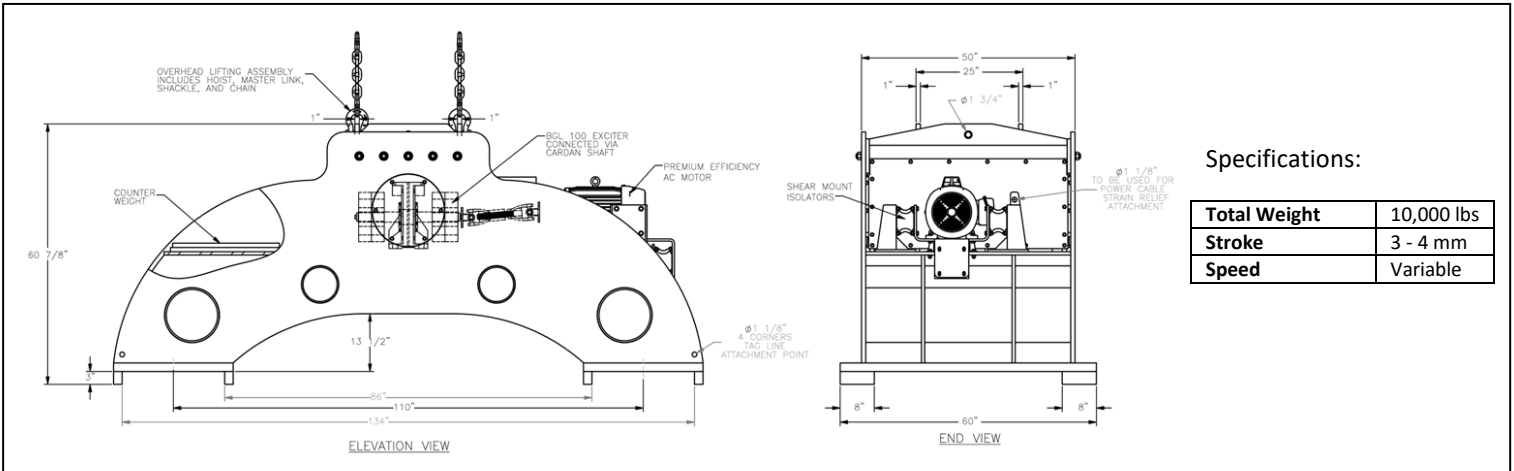
Overhead Car Shaker



For unloading open top railcars



The NAVCO Overhead Car Shaker is designed to facilitate unloading of open top, bottom discharge railcars. It is a heavy-duty unit designed for the most difficult unloading applications. When operating, the Overhead Car Shaker lifts 3-4 mm and falls back onto the railcar sidewalls. The falling action creates an impulse throughout the railcar – initiating and maintaining material flow for the most stubborn materials.



Specifications:

Total Weight	10,000 lbs
Stroke	3 - 4 mm
Speed	Variable

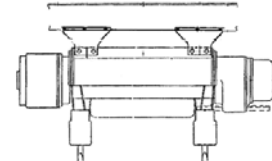
<p>Benefits:</p> <ul style="list-style-type: none"> ◆ Unitized Exciter Drive: ◆ Cardan Shaft Drive: ◆ Long Service Life : ◆ Rugged Construction : ◆ Isolation System: 	<p>Heavy duty drive designed for long service life in demanding industrial environments</p> <p>No belts to replace or adjust</p> <p>Constructed of stress relieved, heavy steel plate to assure long, maintenance free life</p> <p>Designed for continuous 24 hour duty</p> <p>Reduces vibration transmitted to drive motor</p>
---	---

NAVCO OVERHEAD CAR SHAKER

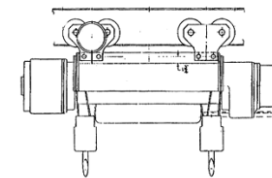


OPERATION:

A hoist assembly is a required accessory for handling and safe placement of the Overhead Car Shaker on the railcar sidewalls.

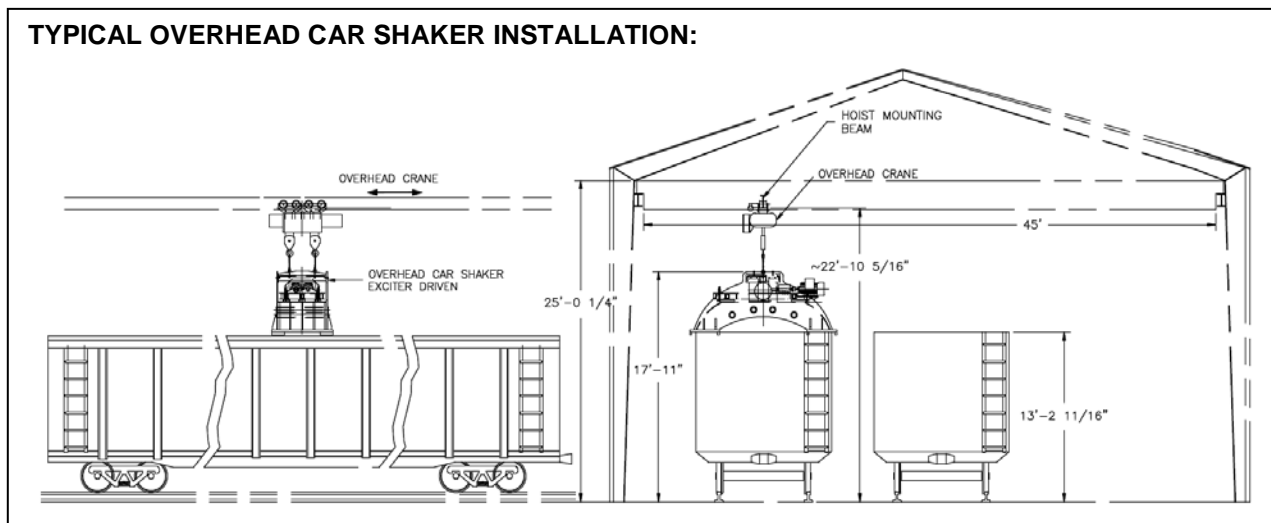


Stationary Hoist



Motorized Trolley with Hoist

TYPICAL OVERHEAD CAR SHAKER INSTALLATION:



Typical applications include:

- Aggregate (limestone, sand, gravel, etc)
- Biomass
- Coal
- Coke
- Ore

For additional information, please contact NAVCO at (800) 231-0164.

NAVCO® ♦ 11929 Brittmoore Park Drive ♦ Houston, Texas 77041 ♦ 832-467-3636 ♦ Fax 832-467-3800

Toll Free 800-231-0164 ♦ www.navco.us

NAVCO
NATIONAL AIR VIBRATOR CO.