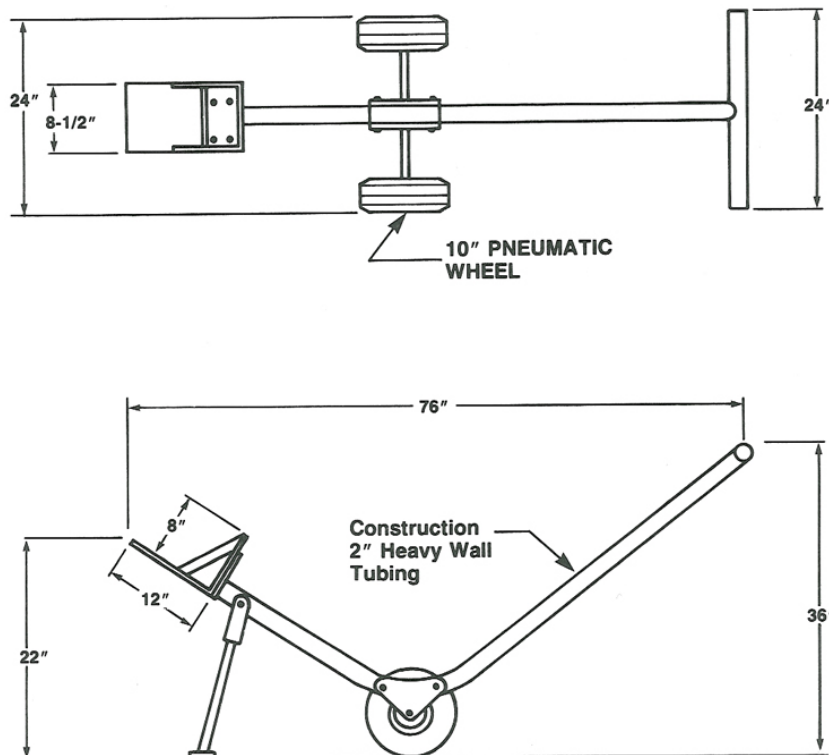


Manual Lift Cart

for Rail Car Portable Vibrators

FEATURES:

- Simple rugged design for easy use.
- Wide wheelbase designed for stability.
- Large wheels make rolling easy.
- Handle is ergonomically located for comfort.
- Smooth HCP lifting and lowering action.
- Ends lifting of heavy vibrators.
- Kick stand for safe, stable resting position.
- Moves any size HCP effortlessly.



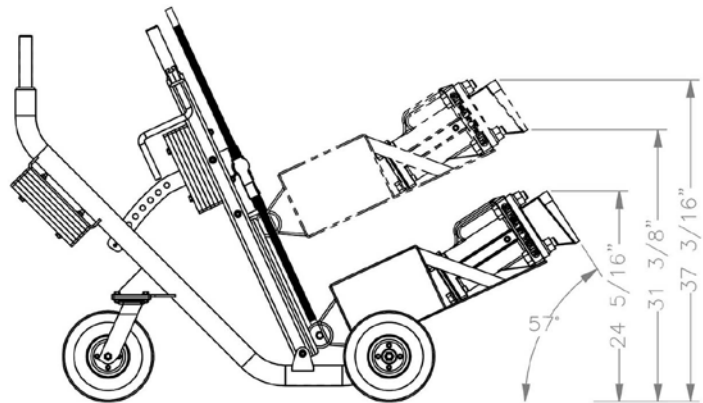
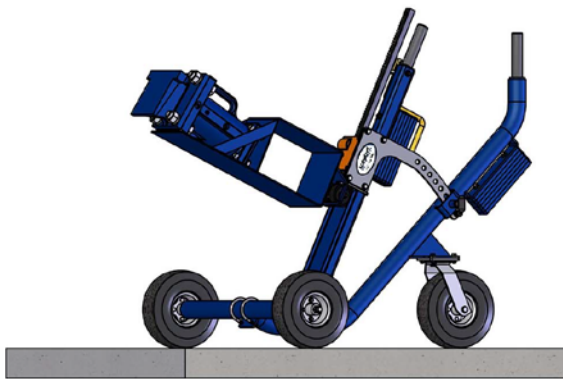
OPERATION

The HCP Manual Lift cart is simply rolled up to the HCP sitting in a dovetail bracket. Pressing down on the handlebars will raise the cradle and lift the HCP out of the dovetail bracket; the cart is then rolled backwards to disengage it from the railcar. The HCP can be placed on a dovetail bracket in the same fashion, by raising the cart's cradle over the bracket, pushing the cart forward slightly, then lowering the cradle.

Safety Lift Cart for the HCP

Rack & Pinion HCP Cart

- Compact design for use on railcar siding with limited space
- 10" never flat wheels for easy maneuverability
- Wide wheel base for stability
- Rack & pinion lifting mechanism for precise positioning
- Manually controlled lifting mechanism to minimize physical risk while inserting vibrator into railcar hopper brackets



OPERATION

While the cart is in a fully lowered position, the vibrator is placed in the carrier. The cart is then wheeled into place near the railcar. Using the rack and pinion mechanism, the vibrator is lifted above the dovetail bracket. The carrier is lowered and the vibrator hooks into the bracket.

NAVCO® ♦ 11929 Brittmoore Park Drive ♦ Houston, Texas 77041 ♦ 832-467-3636 ♦ Fax 832-467-3800
Toll Free 800-231-0164 ♦ www.navco.us

NAVCO
NATIONAL AIR VIBRATOR CO.