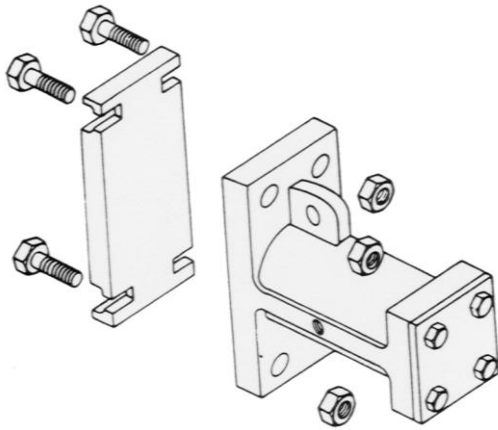
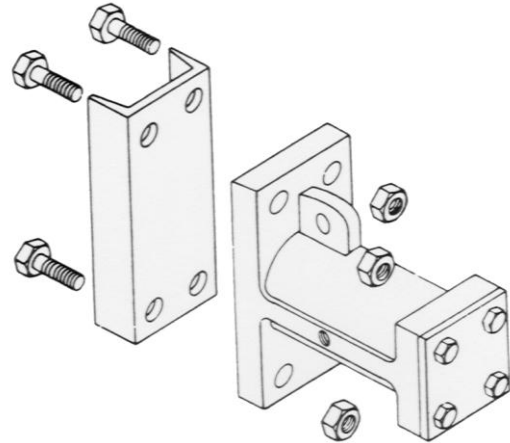


Pneumatic Piston Vibrators

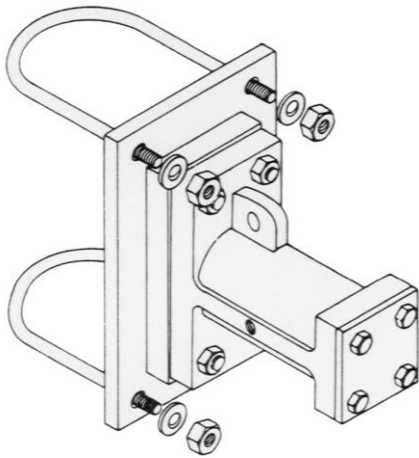
Mounting Accessories and Options



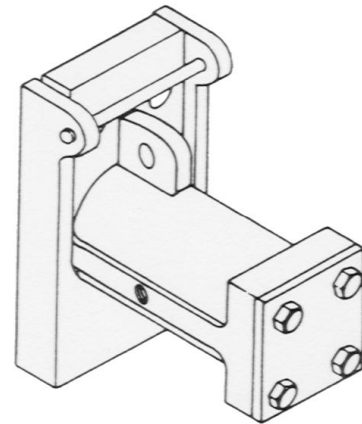
Bolt-Nut mounting with T-slotted plate for flat surfaces on square or rectangular bins. Available for BH 1 1/4" through BH 6" Vibrators. Complete with hex head cap screws and self-locking nuts.



Channel mounting for all curved surface bins or hoppers. Available for BH 1" through BH 8" Vibrators. Complete with hex head cap screws and self-locking nuts.



Pipe mounting clamps the vibrator to the pipe without welding. Available for most vibrators and pipe sizes. Prevents pipe scale build-up and plugging.



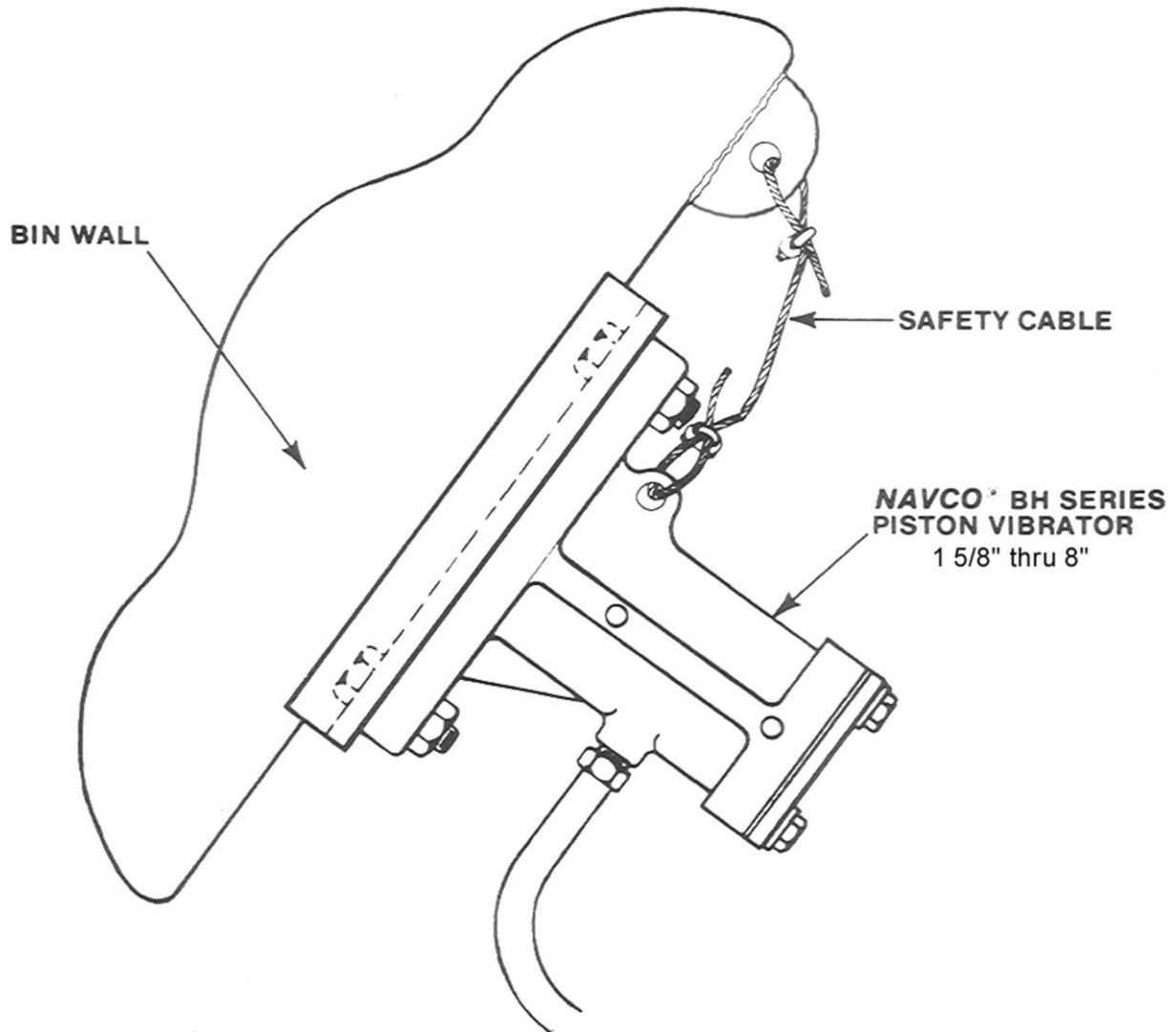
Slip mounting for flat surfaces on rectangular or square bins allows for easy removal of vibrator. Available for BH 1 5/8" through BH 2" Vibrators.

NAVCO®

PNEUMATIC PISTON VIBRATORS

BIN HOPPER MODEL

Mounting



To ensure proper mounting for personnel safety, **NAVCO®** recommends using a safety cable connecting the vibrator to a nearby supporting structure. This structure should be no more than 4 feet away and should be capable of supporting the dead load of the vibrator.

Specify **NAVCO®** catalog No. CB 0.00 000 when ordering.

NAVCO®

FOR MORE INFORMATION CALL: 1-800-231-0164 or 832-467-3636
11929 Brittmoore Park Drive – Houston, TX – 77041
www.navco.us

© 1985