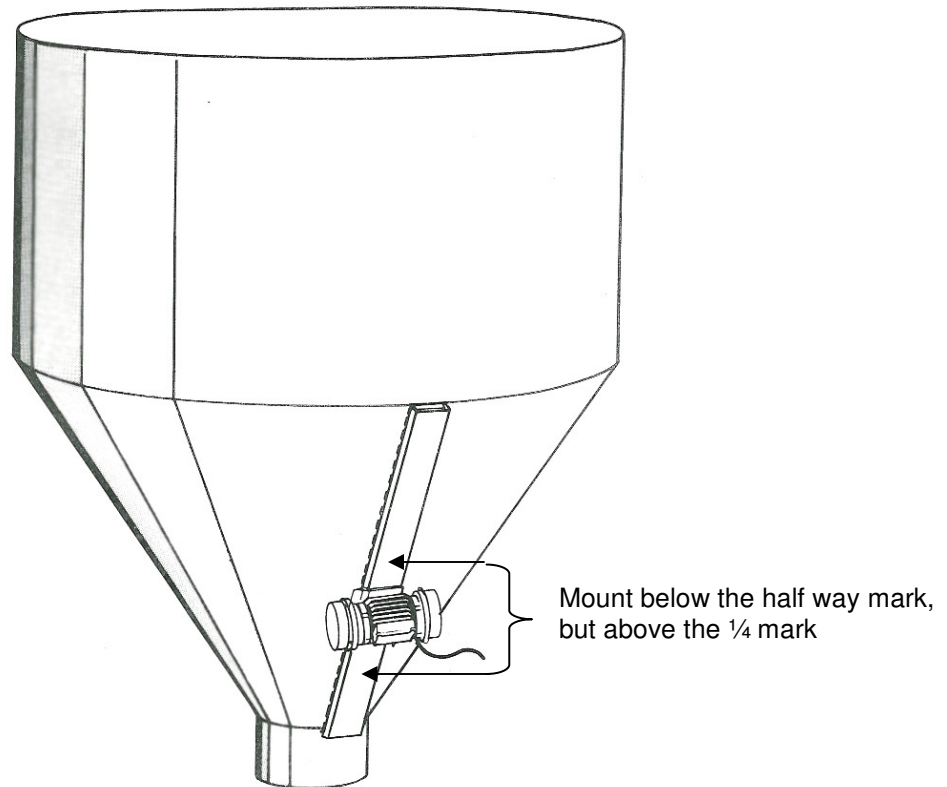


ELECTROMECHANICAL VIBRATORS

Typical Mounting Instructions



- A channel must be used for reinforcement when mounting an electromechanical vibrator.
- The reinforcement channel should extend the full length of the sloped section of the storage vessel.
- A plate may be welded to the channel and drilled to the bolt hole specification of the vibrator.
- The vibrator should be mounted in the bottom $\frac{1}{2}$ to $\frac{1}{4}$ of the sloped section (cone) of the storage vessel.
- For bolt hole dimensions, see bulletin 1000.201.
- For bolt and torque specifications, see bulletin 4000.504.

NAVCO[®]

FOR MORE INFORMATION CALL: 1-800-231-0164 or 832-467-3636
Po Box 40563, Houston, TX 77240-0563 - www.navco.us