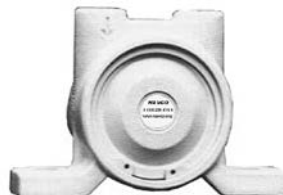


Pneumatic Ball Vibrators

Dimensions and specifications

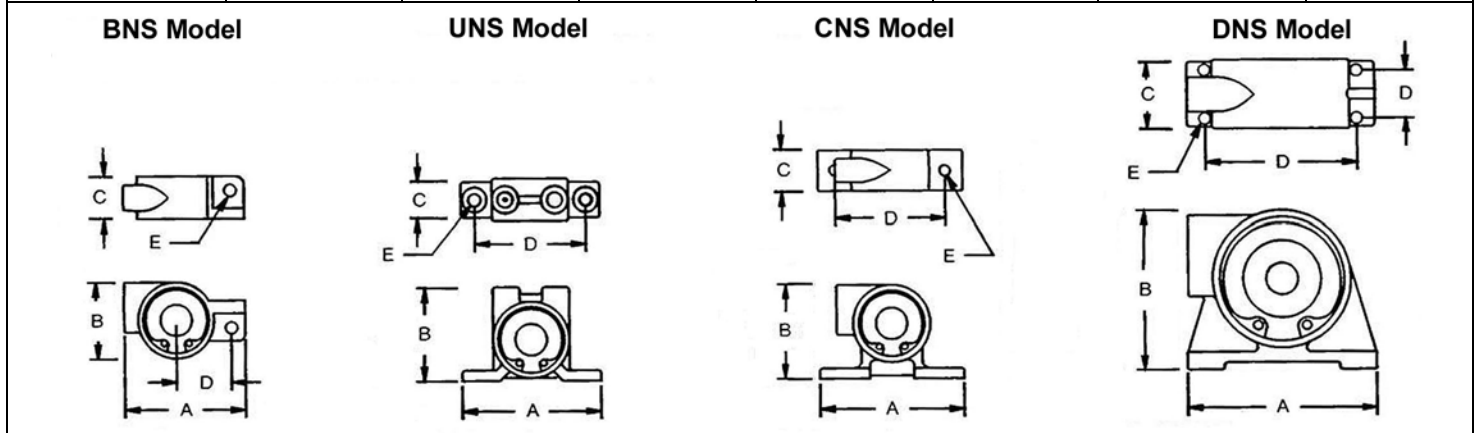


NAVCO® ♦ 11929 Brittmoore Park Drive ♦ Houston, Texas 77041 ♦ 832-467-3636 ♦ Fax 832-467-3800
Toll Free 800-231-0164 ♦ www.navco.us

NAVCO
NATIONAL AIR VIBRATOR CO.

DIMENSIONS

Vibrator Model	A	B	C	D	E	Port Size NPT	Weight (lbs)
BNS - 10	3.1	1.9	1.1	-	.34	1/8	0.7
BNS - 16	4.0	2.5	1.3	-	.41	1/4	1.4
BNS - 19	4.5	2.8	1.5	-	.41	1/4	1.9
BNS - 25	5.2	3.2	1.8	-	.53	1/4	3.1
UNS - 13	5.2	2.7	1.2	4	.41	1/8	1.2
UNS - 19	5.1	3.4	1.5	4	.41	1/4	2.2
UNS - 25	6.6	3.9	1.8	5	.53	1/4	3.5
UNS - 38	7.9	5.4	2.3	6	.69	3/8	7.6
CNS - 19	5.3	3.4	1.5	4	.41	1/4	2.4
CNS - 25	5.4	4.4	2.1	4	.53	1/4	4.3
CNS - 35	5.4	4.4	2.1	4	.53	1/4	4.6
DNS - 41	6.8	5.7	2.5	5.5 x 1.8	.41	1/2	10.4
DNS - 51	6.8	5.7	2.5	5.5 x 1.8	.41	1/2	10.8



SPECIFICATIONS

Vibrator Model	Unbalance lb-in	PSI Required		20 PSI			40 PSI			60 PSI		
		Vertical	Horizontal	Speed RPM	Flow SCFM	Force LBS	Speed RPM	Flow SCFM	Force LBS	Speed RPM	Flow SCFM	Force LBS
BNS - 10	.0034	5	2	16000	4.3	25	20000	7.0	38	22000	9.0	45
BNS - 16	.020	15	7	9400	4.1	50	13000	6.4	93	14000	8.2	110
BNS - 19	.043	20	10	8600	5.5	89	11000	8.4	150	13000	11	200
BNS - 25	.12	30	15	5700	7.5	110	6900	12	160	8200	16	230
UNS - 13	.0093	5	2	13000	6.5	45	18000	11	84	20000	15	110
UNS - 19	.043	20	10	8700	5.5	92	11000	8.4	160	13000	12	210
UNS - 25	.12	30	15	6300	7.0	140	8400	12	240	9100	16	280
UNS - 38	.52	50	25	4300	12	270	5600	19	470	6000	25	540
CNS - 19	.043	20	10	9100	5.7	100	12000	8.4	170	14000	12	220
CNS - 25	.12	30	15	6300	7.8	130	8100	13	220	9200	18	290
CNS - 35	.24	50	25	5300	7.8	190	6700	13	310	7600	16	390
DNS - 41	.82	55	25	3200	13	240	4000	21	370	4400	27	450
DNS - 51	1.3	60	30	3100	13	350	4000	20	580	4300	27	680

NAVCO® ♦ 11929 Brittmoore Park Drive ♦ Houston, Texas 77041 ♦ 832-467-3636 ♦ Fax 832-467-3800
 Toll Free 800-231-0164 ♦ www.navco.us

