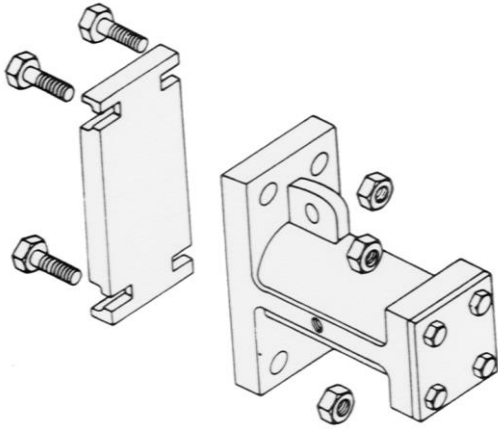
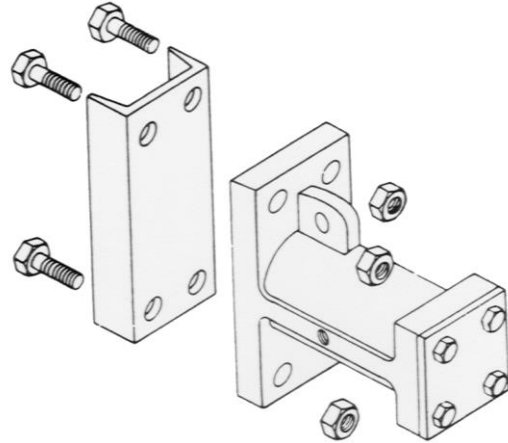


Pneumatic Piston Vibrators

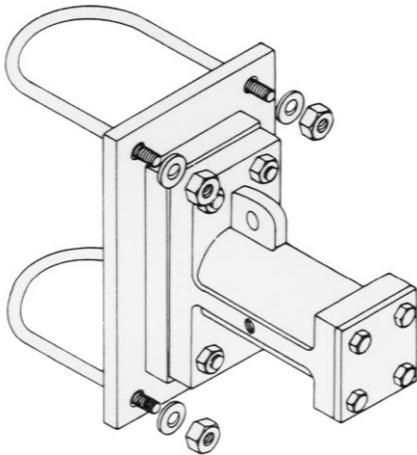
Mounting Accessories and Options



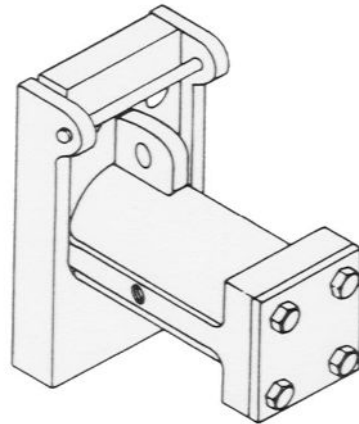
Bolt-Nut mounting with T-slotted plate for flat surfaces on square or rectangular bins. Available for BH 1 ¼" through BH 6" Vibrators. Complete with hex head cap screws and self-locking nuts.



Channel mounting for all curved surface bins or hoppers. Available for BH 1" through BH 8" Vibrators. Complete with hex head cap screws and self-locking nuts.



Pipe mounting clamps the vibrator to the pipe without welding. Available for most vibrators and pipe sizes. Prevents pipe scale build-up and plugging.



Slip mounting for flat surfaces on rectangular or square bins allows for easy removal of vibrator. Available for BH 1 ⅝" through BH 2" Vibrators.

11929 Brittmoore Park Drive ♦ Houston, Texas 77041 ♦ 832-467-3636 ♦ Fax 832-467-3800
www.navco.us ♦ sales@navco.us

NAVCO[®]

rev 9/5/2019