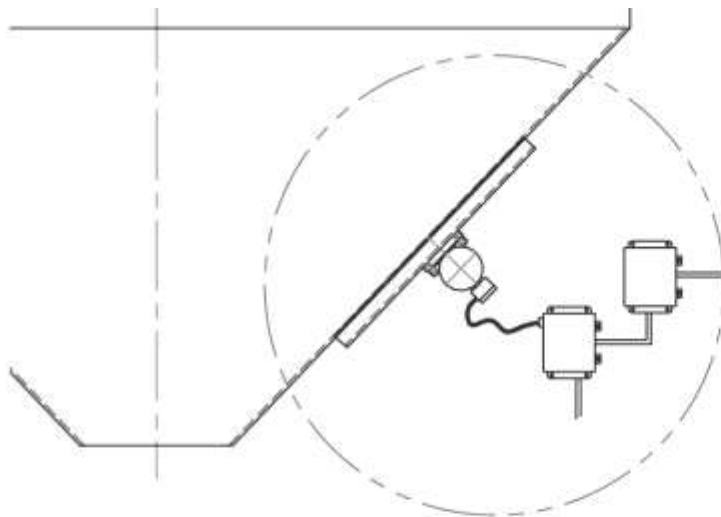


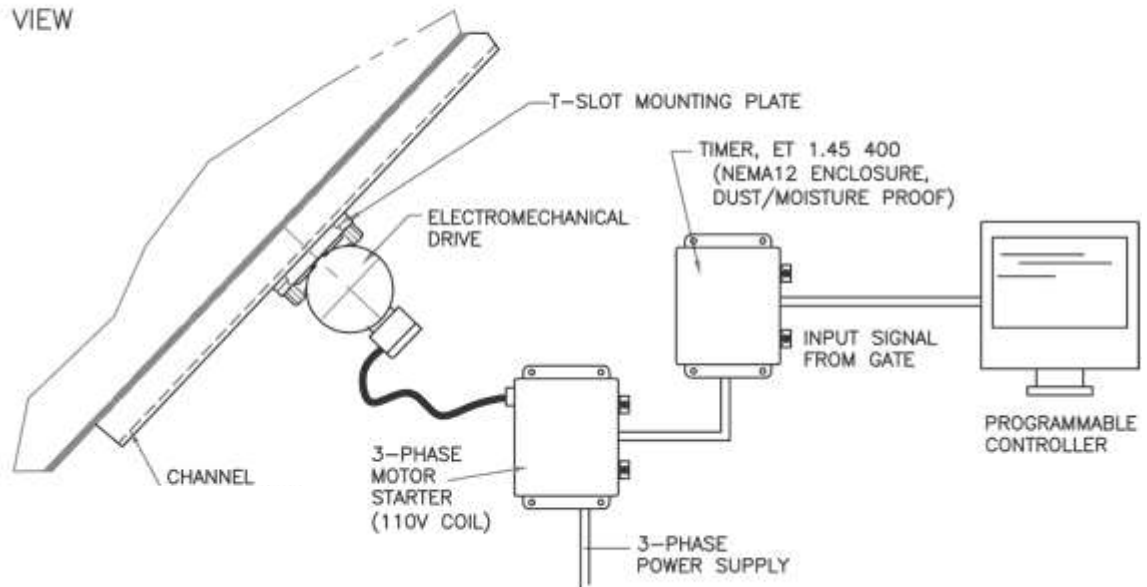
Electromechanical Vibrators

Typical Wiring Schematic



HOPPER END VIEW

NOTE: Motor starter provides for remote operation based on input from timer, programmable controller, flow indicator, etc.



VIBRATOR WITH ACCESSORIES (TYPICAL)