

# Form Vibrator

## High Frequency Vibration for Concrete Forms

NAVCO Form Vibrators are pneumatically driven rotary vibrators engineered to promote faster consolidation, and superior surface finishes on battery molds, compaction tables, forms, and molds for a wide range of concrete shapes.

### Reliable Industrial Form Vibrators

NAVCO's pneumatic Form Vibrators utilize a dual-roller design that doesn't contain bearings or motors providing reliable performance and lower maintenance.

### Supporting Industry

Concrete and Construction

### Pneumatic (Air) Power to Fit Your Work Flow

Pneumatically driven Form Vibrators are easily incorporated into existing processes.

### Non-Impacting, High Frequency High Amplitude Vibration

Form Vibrators operate by using compressed air to push two concentric rollers around a shaft producing rotary vibration within the vibrator, creating a non-impacting high frequency, high amplitude vibration.

### Improved Concrete Molds and Forms

Form Vibrator's high frequency vibration helps to release entrapped air and settle concrete. This ensures an even density and smooth finish in the final product.

### Portable and Permanent Options Available

The GNL model incorporates a convenient handle for easy and safe transportation from form to form. While the GND utilizes a four-bolt pattern mounting base for secure installation.

## Two Types and Multiple Sizes to Fit Your Application

NAVCO Form Vibrators are available in two models with multiple sizes:

- GNL – Designed for use in a universal cradle lug bracket.
- GND – Designed for bolt on permanent installation.



## CONTACT US TODAY AT

E. SALES@NAVCO.US

W. NAVCO.US

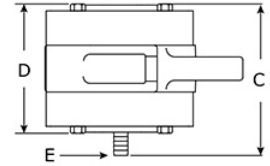
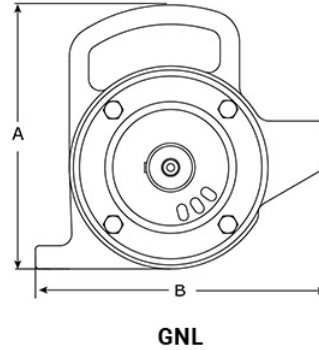
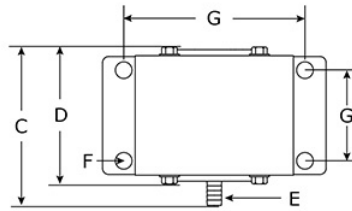
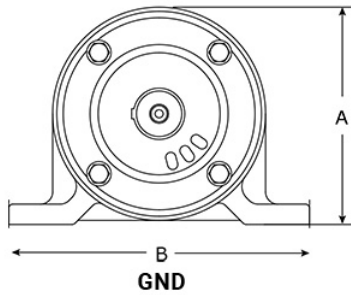
A. 11929 BRITTMOORE PARK DR.

P. 832.467.3636

F. 832.467.3800

HOUSTON, TX 77041

# Dimensions



Model	A	B	C	D	E	F	G	Weight lb
	in	in	in	in	in	in	in	
GND 4400	6.7	9.2	7.4	5.7	3/4	0.7	7.5 x 3.8	34.8
GND 5000	6.7	9.2	7.4	5.7	3/4	0.7	7.5 x 3.8	35.2
GND 5500	6.7	9.2	7.4	5.7	3/4	0.7	7.5 x 3.8	35.4
GND 6500	6.7	9.2	7.4	5.7	3/4	0.7	7.5 x 3.8	38.7
GNL 4400	8.5	9.4	7.3	5.5	3/4	N/A	GNL Bracket	32.8
GNL 5000	8.5	9.4	7.3	5.5	3/4	N/A	GNL Bracket	33.2
GNL 5500	8.5	9.4	7.3	5.5	3/4	N/A	GNL Bracket	33.4
GNL 6500	8.5	9.4	7.3	5.5	3/4	N/A	GNL Bracket	36.8

**CONTACT US TODAY AT**

E. SALES@NAVCO.US  
P. 832.467.3636

W. NAVCO.US  
F. 832.467.3800

A. 11929 BRITTMOORE PARK DR.  
HOUSTON, TX 77041